

High Response Couplings

Aluminum, Vulcanized, Vibration-Damping, with Clamping Hub

SPECIFICATION

Bore code

- Version **B**: Without keyway

Hub

Aluminum **AL**

Elastomer element

Hydrogenated acrylonitrile butadiene rubber **H**

(HNBR)

- Black
- Hardness 75 ±5 Shore A

Operating temperature -20 °C to +80 °C

Socket cap screws ISO 4762

Steel, blackened



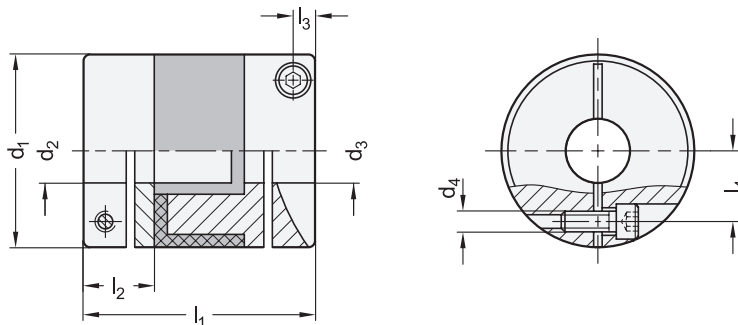
INFORMATION

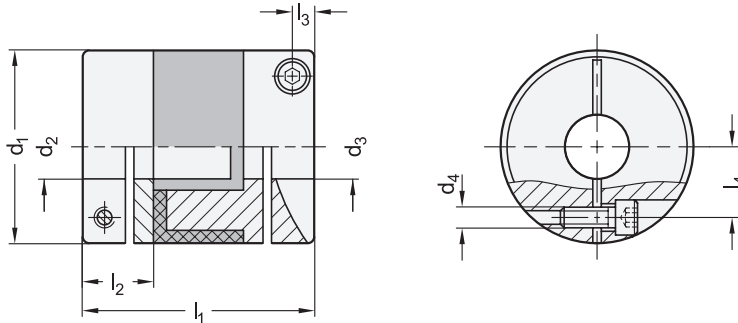
High response couplings GN 2248 transmit angular positions and torques with high precision and zero backlash. The elastomer element bonds the clamping hubs together, compensating for shaft misalignments and runout tolerances. The clamping hubs ensure easy installation.

High response couplings GN 2248 are primarily used in applications where precise position and motion transmission is required, e.g., in drive technology on test benches or similar applications.

TECHNICAL INFORMATION

- Overview of Couplings (see page)
- General Information for Couplings (see page)
- Mounting Information for Couplings (see page 1123)
- Technical Information for Couplings (see page)
- ISO-Fundamental Tolerances (see page A21)
- Plastic Characteristics (see page A2)





GN 2248

Description	d1	d2 - d3 H8 Recommended shaft tolerance h7	d4	l1	l2 Max. shaft insertion depth	l3	l4	Tightening torque of the screws in Nm ≈	Rated torque in Nm	Max. rotational speed (min ⁻¹)	Moment of inertia in kgm ²	Static torsional stiffness in Nm/rad	Max. shaft offset Lateral in mm	Max. shaft offset Axial in mm	Max. shaft offset Angular in °	
GN 2248-15-B4-4-AL-H	15	4-4	M 1.6	23	6.5	2.15	5	0.25	1.1	42000	2.3 x 10 ⁷	43	0.15	± 0.2	1.5	9
GN 2248-15-B4-5-AL-H	15	4-5	M 1.6	23	6.5	2.15	5	0.25	1.1	42000	2.3 x 10 ⁷	43	0.15	± 0.2	1.5	9
GN 2248-15-B5-5-AL-H	15	5-5	M 1.6	23	6.5	2.15	5	0.25	1.1	42000	2.3 x 10 ⁷	43	0.15	± 0.2	1.5	9
GN 2248-19-B5-5-AL-H	19	5-5	M 2	26	7.7	2.65	6.5	0.5	2.1	33000	6.9 x 10 ⁷	88	0.15	± 0.2	1.5	15
GN 2248-19-B5-6-AL-H	19	5-6	M 2	26	7.7	2.65	6.5	0.5	2.1	33000	6.9 x 10 ⁷	88	0.15	± 0.2	1.5	15
GN 2248-19-B5-8-AL-H	19	5-8	M 2	26	7.7	2.65	6.5	0.5	2.1	33000	6.9 x 10 ⁷	88	0.15	± 0.2	1.5	15
GN 2248-19-B6-6-AL-H	19	6-6	M 2	26	7.7	2.65	6.5	0.5	2.1	33000	6.9 x 10 ⁷	88	0.15	± 0.2	1.5	15
GN 2248-19-B6-8-AL-H	19	6-8	M 2	26	7.7	2.65	6.5	0.5	2.1	33000	6.9 x 10 ⁷	88	0.15	± 0.2	1.5	15
GN 2248-19-B8-8-AL-H	19	8-8	M 2	26	7.7	2.65	6.5	0.5	2.1	33000	6.9 x 10 ⁷	88	0.15	± 0.2	1.5	15
GN 2248-25-B6-6-AL-H	25	6-6	M 2.5	32	9.5	3.25	9	1	4	25000	2.5 x 10 ⁶	140	0.15	± 0.2	1.5	29
GN 2248-25-B6-8-AL-H	25	6-8	M 2.5	32	9.5	3.25	9	1	4	25000	2.5 x 10 ⁶	140	0.15	± 0.2	1.5	29
GN 2248-25-B6-10-AL-H	25	6-10	M 2.5	32	9.5	3.25	9	1	4	25000	2.5 x 10 ⁶	140	0.15	± 0.2	1.5	29
GN 2248-25-B8-8-AL-H	25	8-8	M 2.5	32	9.5	3.25	9	1	4	25000	2.5 x 10 ⁶	140	0.15	± 0.2	1.5	29
GN 2248-25-B8-10-AL-H	25	8-10	M 2.5	32	9.5	3.25	9	1	4	25000	2.5 x 10 ⁶	140	0.15	± 0.2	1.5	29
GN 2248-25-B10-10-AL-H	25	10-10	M 2.5	32	9.5	3.25	9	1	4	25000	2.5 x 10 ⁶	140	0.15	± 0.2	1.5	29
GN 2248-30-B8-8-AL-H	30	8-8	M 3	36	11	4	11	1.5	6.3	21000	6 x 10 ⁶	220	0.2	± 0.3	1.5	46
GN 2248-30-B8-10-AL-H	30	8-10	M 3	36	11	4	11	1.5	6.3	21000	6 x 10 ⁶	220	0.2	± 0.3	1.5	46
GN 2248-30-B8-12-AL-H	30	8-12	M 3	36	11	4	11	1.5	6.3	21000	6 x 10 ⁶	220	0.2	± 0.3	1.5	46
GN 2248-30-B10-10-AL-H	30	10-10	M 3	36	11	4	11	1.5	6.3	21000	6 x 10 ⁶	220	0.2	± 0.3	1.5	46
GN 2248-30-B10-12-AL-H	30	10-12	M 3	36	11	4	11	1.5	6.3	21000	6 x 10 ⁶	220	0.2	± 0.3	1.5	46
GN 2248-30-B12-12-AL-H	30	12-12	M 3	36	11	4	11	1.5	6.3	21000	6 x 10 ⁶	220	0.2	± 0.3	1.5	46
GN 2248-39-B12-12-AL-H	39	12-12	M 4	48	15.5	4.5	14.5	2.5	13.5	16000	2.3 x 10 ⁵	520	0.2	± 0.3	1.5	103
GN 2248-39-B12-14-AL-H	39	12-14	M 4	48	15.5	4.5	14.5	2.5	13.5	16000	2.3 x 10 ⁵	520	0.2	± 0.3	1.5	103
GN 2248-39-B12-16-AL-H	39	12-16	M 4	48	15.5	4.5	14.5	2.5	13.5	16000	2.3 x 10 ⁵	520	0.2	± 0.3	1.5	103
GN 2248-39-B14-14-AL-H	39	14-14	M 4	48	15.5	4.5	14.5	2.5	13.5	16000	2.3 x 10 ⁵	520	0.2	± 0.3	1.5	103
GN 2248-39-B14-16-AL-H	39	14-16	M 4	48	15.5	4.5	14.5	2.5	13.5	16000	2.3 x 10 ⁵	520	0.2	± 0.3	1.5	103
GN 2248-39-B16-16-AL-H	39	16-16	M 4	48	15.5	4.5	14.5	2.5	13.5	16000	2.3 x 10 ⁵	520	0.2	± 0.3	1.5	103
GN 2248-56-B20-20-AL-H	56	20-20	M 5	60	19.5	5.5	20	7	35	11000	1.2 x 10 ⁴	1500	0.2	± 0.3	1.5	267
GN 2248-56-B20-25-AL-H	56	20-25	M 5	60	19.5	5.5	20	7	35	11000	1.2 x 10 ⁴	1500	0.2	± 0.3	1.5	267
GN 2248-56-B25-25-AL-H	56	25-25	M 5	60	19.5	5.5	20	7	35	11000	1.2 x 10 ⁴	1500	0.2	± 0.3	1.5	267



10 Joints, Couplings, Gears